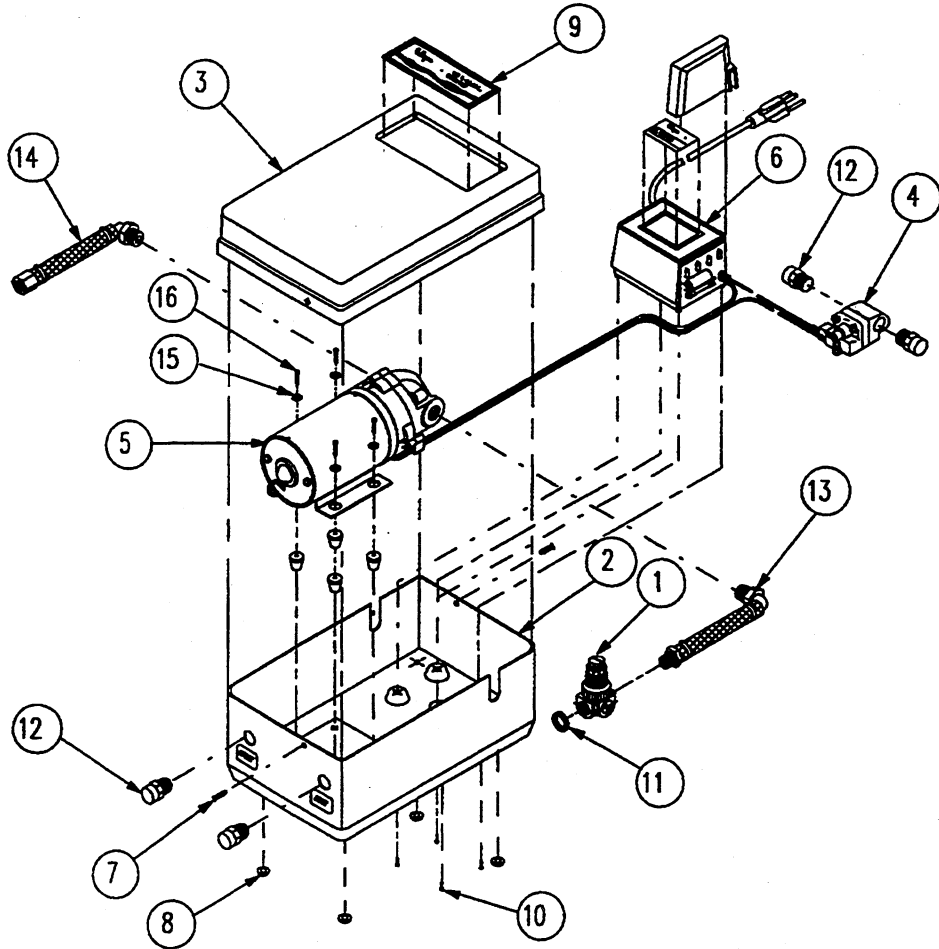




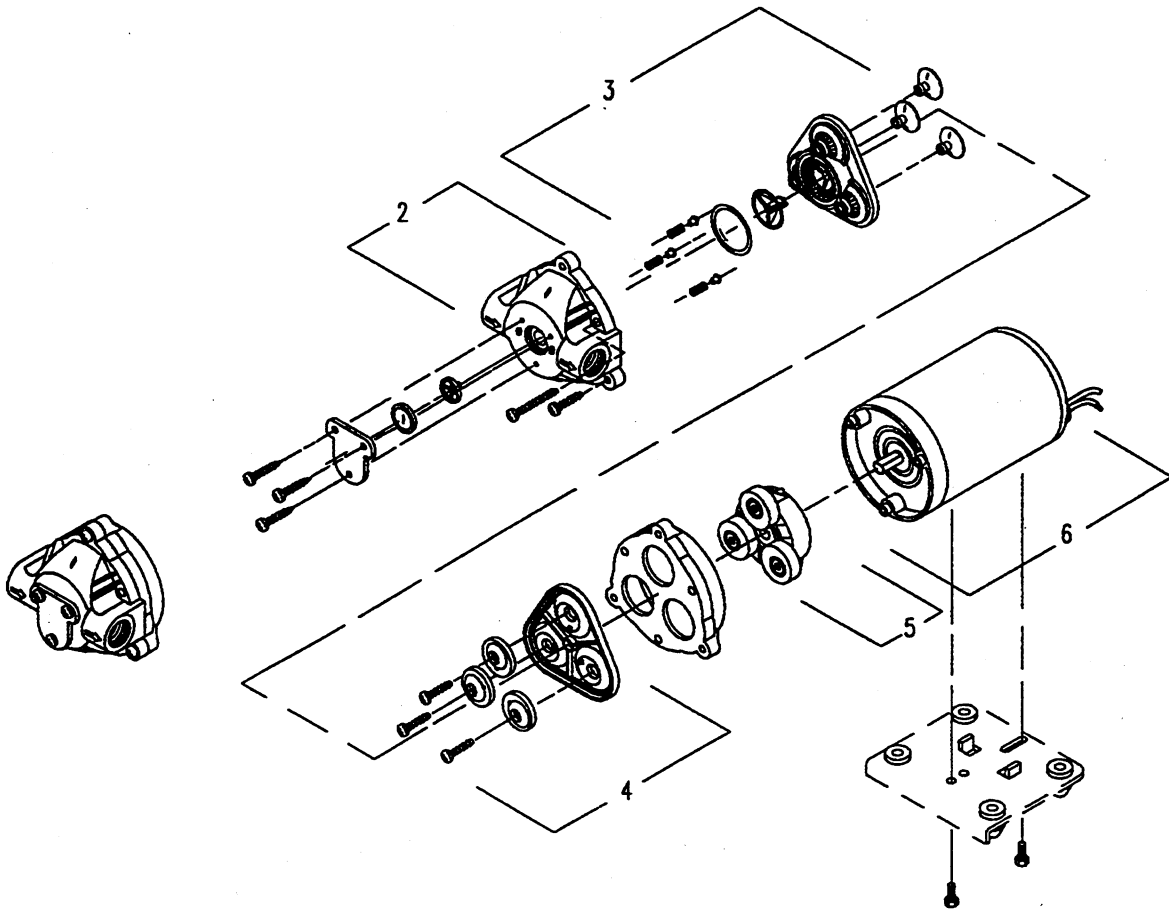
BOOSTER PUMP / ENCLOSED TRANSFORMER
MODELS FROM JUNE 92 / JUNE 93
PARTS LIST



Item Number	Part Number	Description	Qty Req.
1	01-0044-08	Regulator, 0-25 psi	1
2	01-0044-14	Enclosure Base, White	1
3	01-0044-15	Enclosure Cover, White	1
4	01-0044-09	Press Switch Assembly, 25-60 psi	1
5	01-0044-16	Pump Assembly, 36VAC 80 psi w/Bypass	1
6	01-0044-17	Transformer-Rectifier Assembly	1
*7	10-328	Arrow Clip, Nylon	2
*8	10-337	Rubber Foot, Neoprene	4
*9	19-261	Decal	1
*10	1-222-01	Screw Pan Hd. #8-18X .62 S.S.	4
*11	7-046	Washer, Neoprene	1
12	P1-0044-20	Fitting, 1/4 Tube X 1/4 NPTM / MP 10	4
13	01-0044-18	Connector Hose Assembly, Inlet	1
14	01-0044-19	Connector Hose Assembly, Outlet	1
*15	4-017-01	Washer, .192 Flat S.S.	4
*16	1-176-01	Screw Pan Hd. #8X 1.00 S.S.	4

*Contact Culligan for part availability
MP denotes a Multi-Pack

PUMP
PN 8005-952-480
PARTS LIST



Item Number	Part Number	Description	Qty Req.
1	01-0044-03	Complete Pump Head	1
2	01-0044-05	Upper Housing	1
3	01-0044-06	By-Pass Valve Assembly	1
4	01-0044-07	Diaphragm	1
*5	94-385-04	Drive Assembly	1
*6	11-147-10	Motor	1

*Contact Culligan for part availability